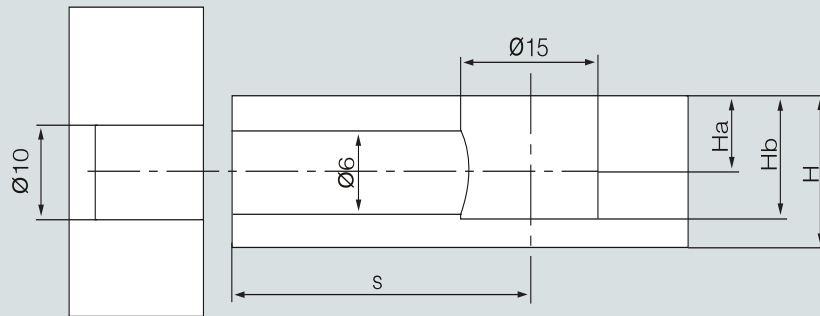




快装二合一 Ready-packet two-in-one



三件套代号 Code of 3-piece kit	SH-9111-A6	SH-9111-A6-02	SH-9111-B6	SH-9111-C6
孔距S Hole spacing(S)	33.5	32	28.5	25
总长L Total length(L)	41	40	36	33

板厚H Board thickness (H)	孔中心高Ha Hole center height (Ha)	孔深Hb Hole depth (Hb)	孔深Hc Hole depth (Hc)
15	7.5	12 ^{+0.5}	12 ^{+0.5}
18	9	13.5 ^{+0.5}	12 ^{+0.5}
20	10	14.5 ^{+0.5}	12 ^{+0.5}

注：偏心轮可配镀镍、青古铜、红古铜等。 Note: Eccentric wheel can be plated with nickel.